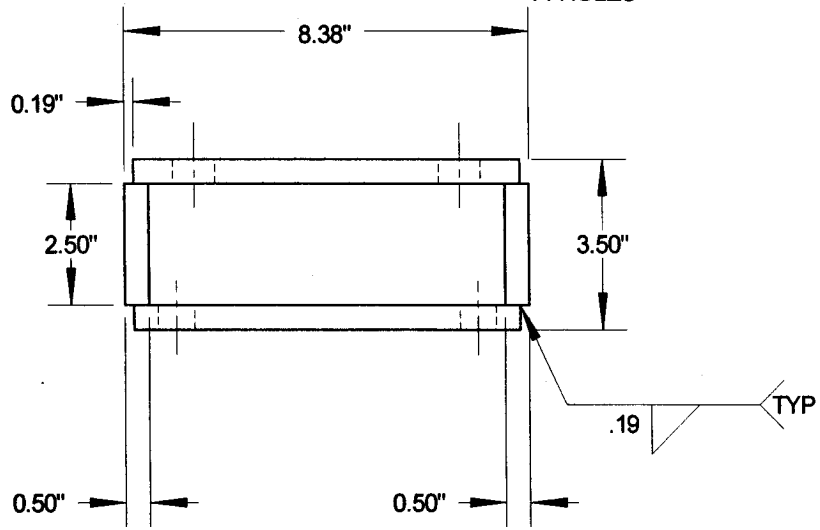


0.88" DIA.  
14 HOLES

0.69" DIA.  
18 HOLES



**MATERIAL: A-36 STEEL PLATE  
0.50 THICK**

<b>SNOW-WHEEL SYSTEMS, INC</b>		
<b>BRACKET, MB350</b>		
PART NO:		
DATE: 1/25/04	DRAWN BY: TJB	SCALE: 1/4